



COLERMEDICALPPE

# MIST-IFY Midi

Multi-Function Sanitiser Unit

User Guide



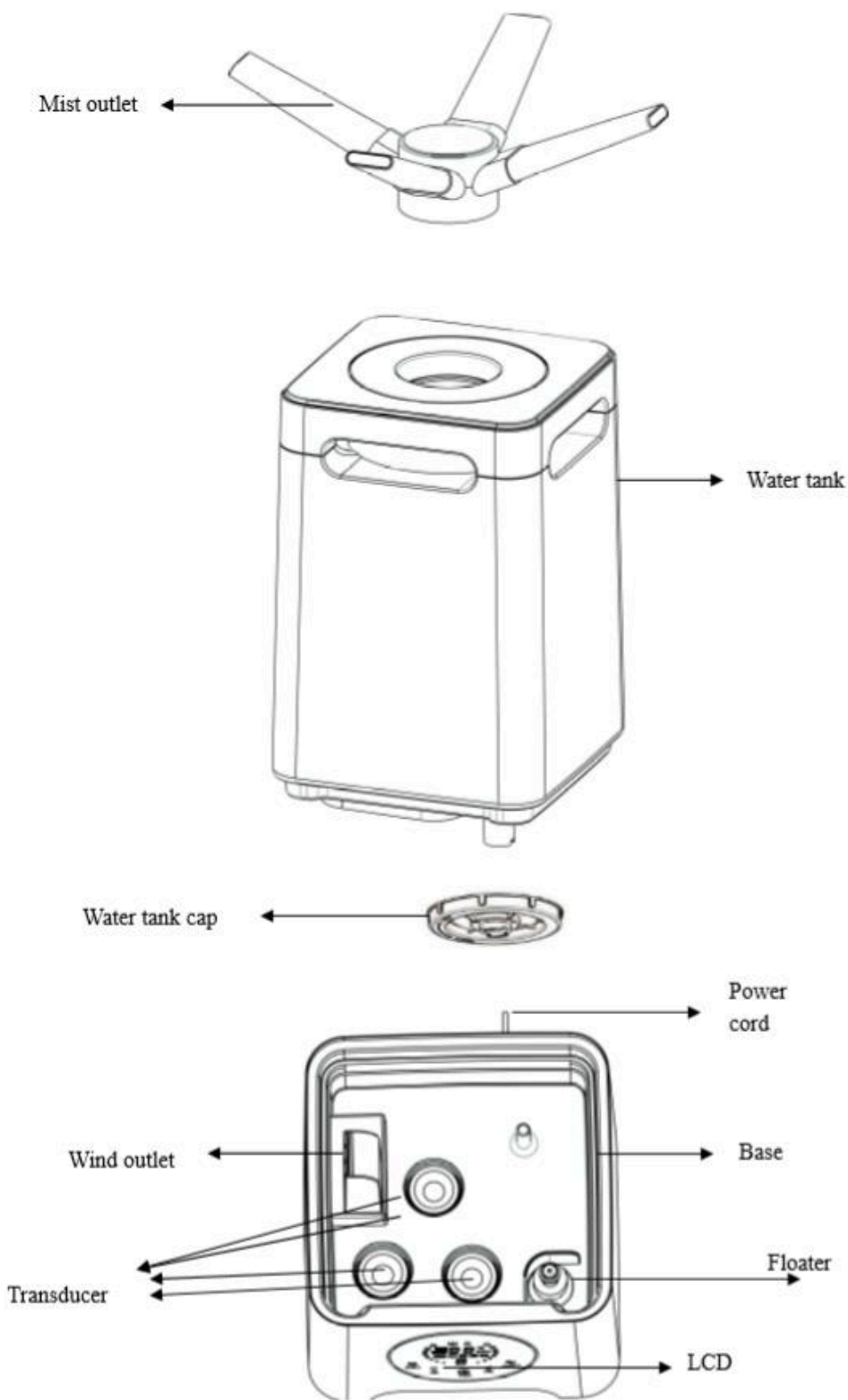
[info@colermedical-ppe.co.uk](mailto:info@colermedical-ppe.co.uk)

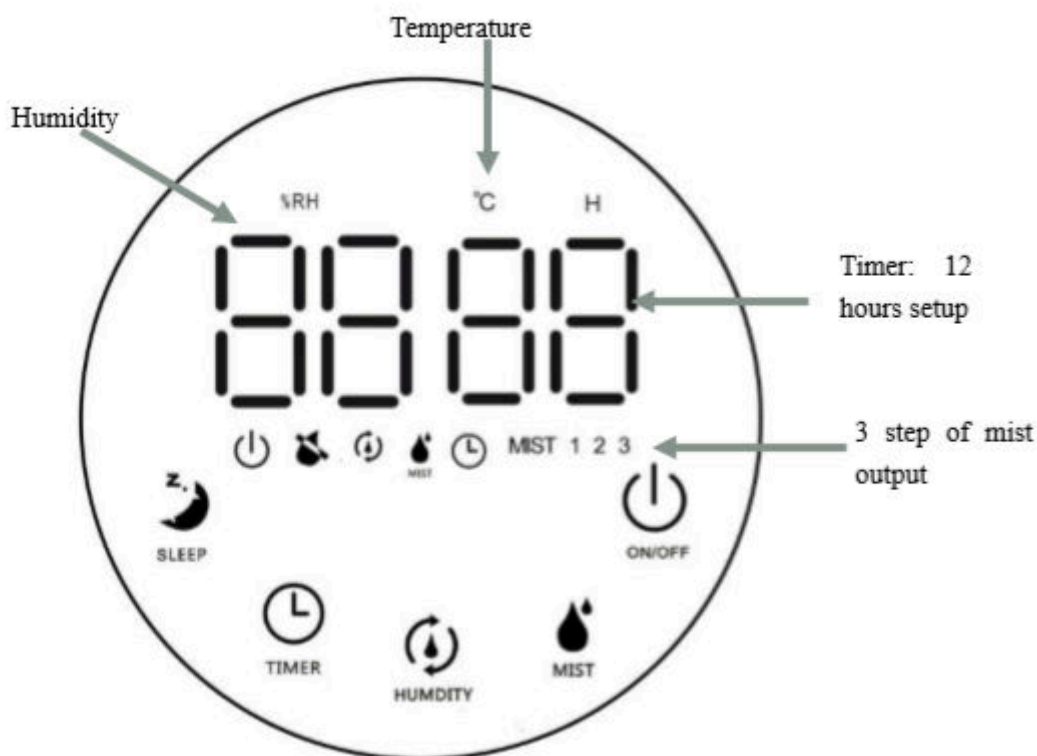
[www.colermedical-ppe.co.uk](http://www.colermedical-ppe.co.uk)

+44 (0) 1827 794 294



# Components





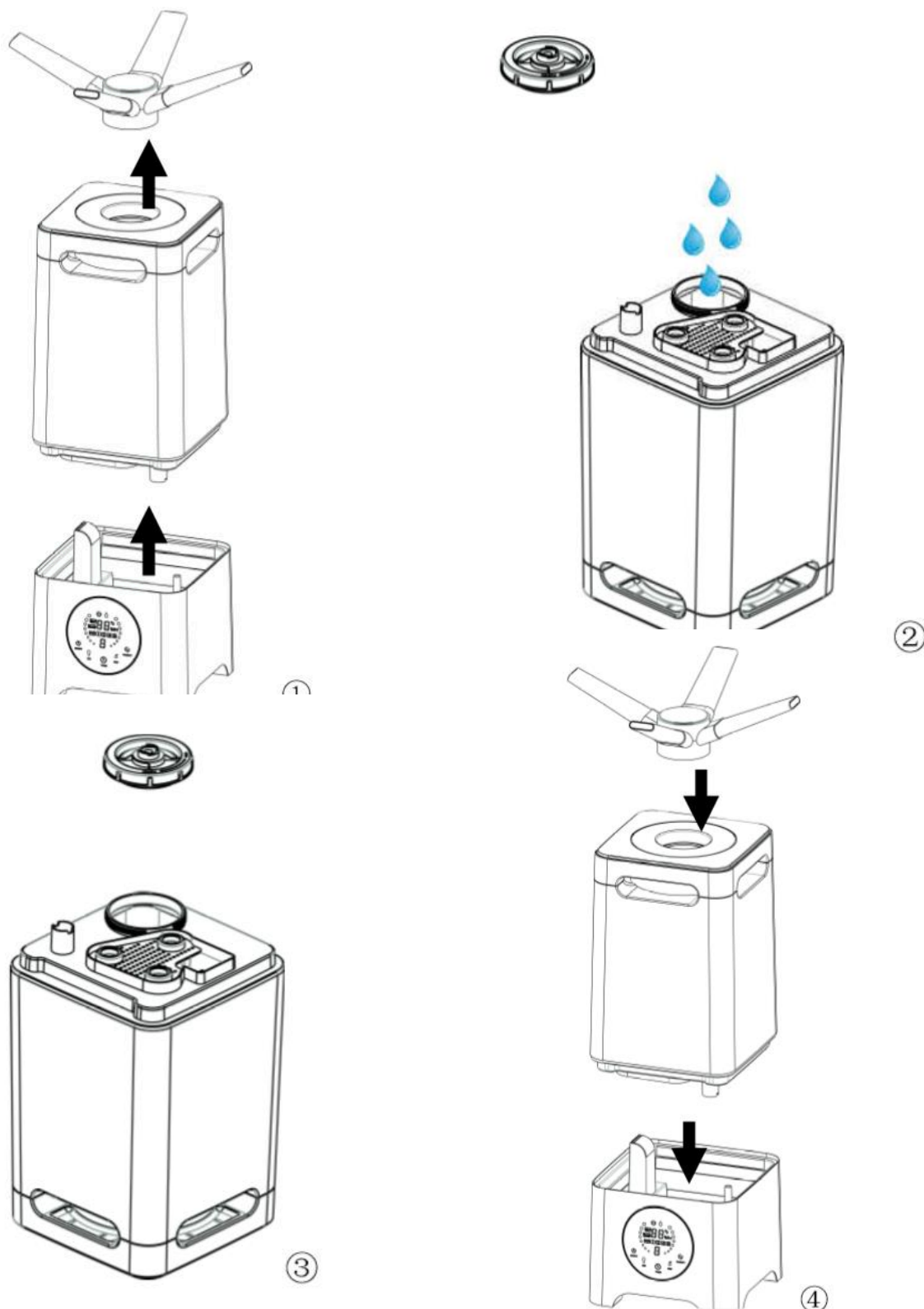
- **'ON/OFF'**: Turns MIST-IFY Unit on/off
- **'MIST'**: MIST-IFY Unit has 3 mist settings. Press the mist icon to cycle between 1,2 and 3 for higher or lower humidity
- **'TIMER'**: Up to 12 Hours of timing modes to automatically turn the unit off. Press the icon to choose the desired time for operation.
- **'HUMIDITY'**: The unit can detect the humidity of the environment it is placed in. Press the Humidity Button to set desired Humidity between 60% - 90%. Unit will automatically turn off when humidity is reached.
- **'SLEEP MODE'**: This feature will turn off the LCD display while still in operation. Press again to turn back on.

## Correct Operation

- 1 – Place MIST-IFY Midi unit in secure upright position.
- 2 – Take out water tank from the base and remove the upper section and screw cap. Pour MIST-IFY instant sanitiser (found at [www.colermedical-ppe.com](http://www.colermedical-ppe.com)) into the tank directly. Screw the Lid back on.
- 3 – Replace the water tank onto the base and replace the upper section of the unit.
- 4 – Connect the unit to the power supply and ensure the unit has power. LCD unit should be active and adjust settings to suit environment.
- 5 – MIST-IFY Midi unit will automatically switch off if the water level is too low.



COLERMEDICALPPE



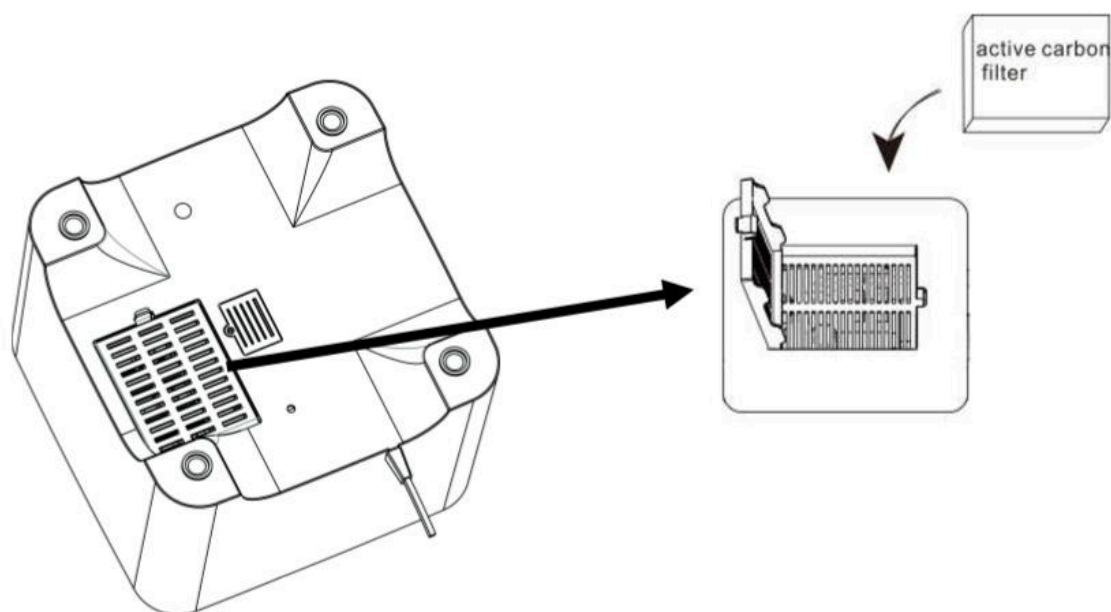
[info@colermedical-ppe.co.uk](mailto:info@colermedical-ppe.co.uk)

[www.colermedical-ppe.co.uk](http://www.colermedical-ppe.co.uk)

+44 (0) 1827 794 294



**COLERMEDICALPPE**



## Active Carbon Filter

- 1 – Active carbon filter does not need to be replaced. Only cleaning is required.
- 2 – We recommend cleaning the filter every 5-6 weeks while cleaning.
- 3 – To clean Filter. Take out from underneath the base of the MIST-IFY Midi unit and rise with cold water. Do not use Hot water. Then allow to dry and re-insert filter into the machine.

## Precautions

- 1 – Only use MIST-IFY instant sanitiser provided by Coler Medical PPE (found at [www.colermedical-ppe.com](http://www.colermedical-ppe.com)). DO NOT use any other liquid, especially oil or gel-based solutions.
- 2 – Ensure the MIST-IFY Unit is kept in a horizontal position during operation.
- 3 – Ensure unit is off when water tank is being removed.
- 4 – Avoid contact with the transducer plate. If cleaning is required a cloth is recommended.
- 5 – Do not fill the water tank when it is on the base of the unit to avoid excess liquid being spilled.
- 6 – Do not move the Unit whilst in use.
- 7 – MIST-IFY instant sanitiser should be added to the water tank at room temperature.
- 8 – Unit should not be used in extreme temperature. Such as below 0°C or Above 40°C to allow for optimum Operation.
- 9 – When the unit is not in use, power should be off at the mains.



## Maintenance and Cleaning

1 – Water tank and unit should be regularly cleaned to ensure optimum output. Every 2-3 weeks when being used regularly is recommended

2 – When cleaning, ensure unit is not plugged in. remove the water tank and wipe down to ensure there is no build up of scale on the unit. Rinse out with clean water and wipe with a clean cloth.

3 – External cleaning of the unit should be wiped with a clean damp cloth and avoid any contact with electrical connections

4 – If unit is being stored. Ensure Unit is clean and dry. MIST-IFY instant sanitiser should not be left in the unit for extended periods of time.

5 – MIST-IFY instant sanitiser is safe to be poured down a household drain if unit needs to be emptied.

6 - We recommend cleaning the active carbon filter every 5-6 weeks while cleaning.

### GET IN TOUCH:

#### The Office



**Address:** Unit 2, Manor Road Industrial Estate, Atherstone, CV9 1TE



**Phone:** 01827 794 294



**Email:** [info@colermedical-ppe.co.uk](mailto:info@colermedical-ppe.co.uk)

#### Business Hours

🕒 Monday - Thursday 8am to 5:30pm

🕒 Friday - 8am to 4.30pm

🕒 Saturday & Sunday - Closed